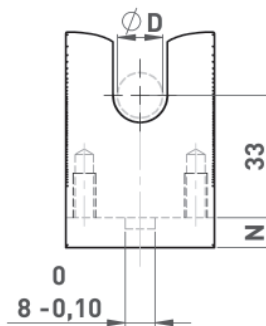
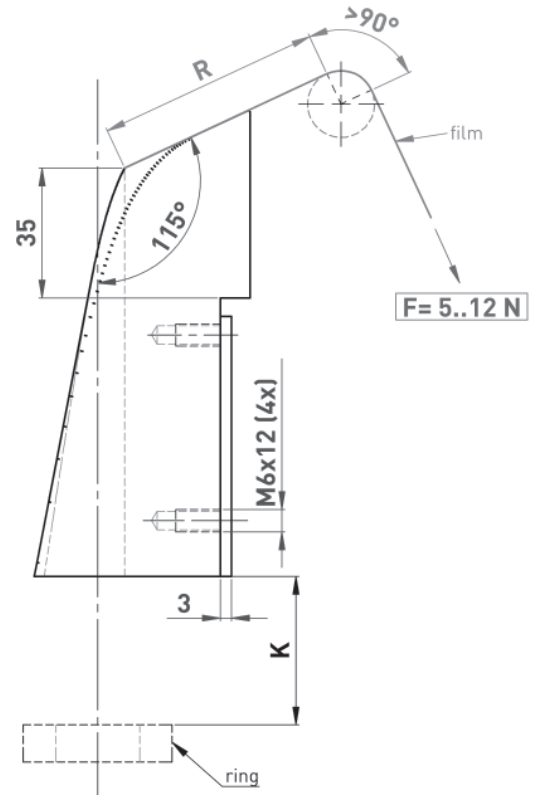
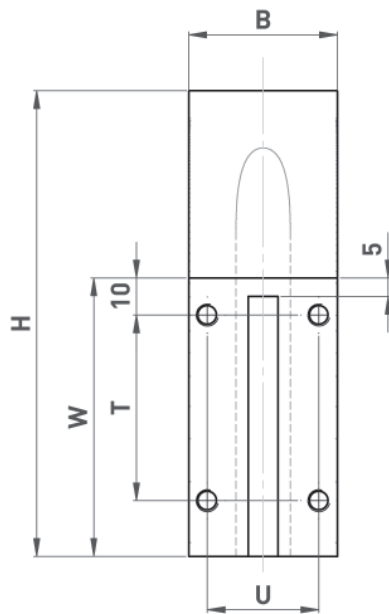




Former Fab®

uForm bag width 13-28



material options:

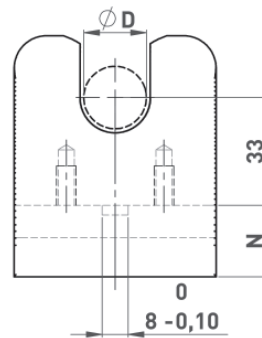
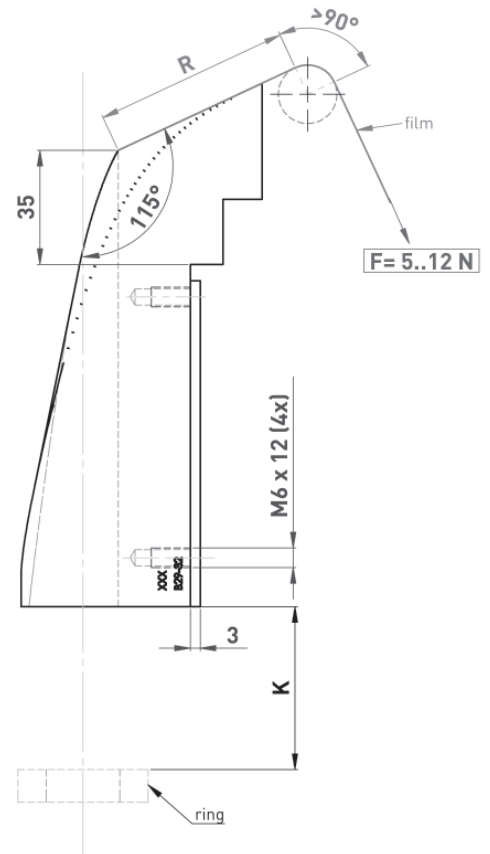
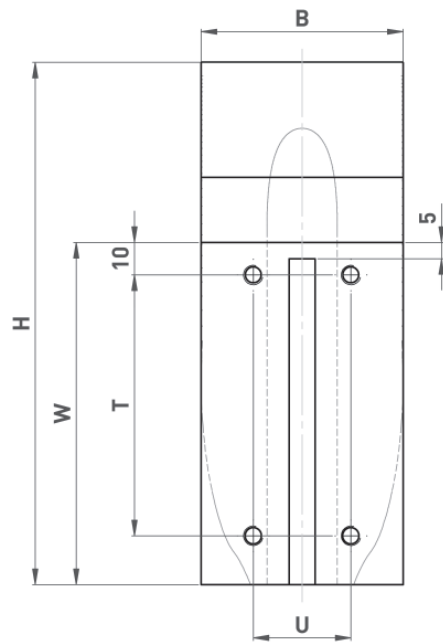
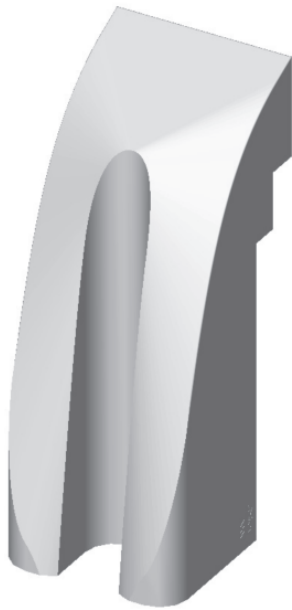
- * stainless steel (1.4301 / AISI 304)
- * aluminum (EN AW-6082), surface hard anodized and impregnated with PTFE

uForm			13-17	18-21	22-24	25-28
Bag width		mm	13..17	18..21	22..24	25..28
Reel film width		mm	32..46	41..59	51..66	57..72
Diameter of the filling tube	D	mm	8..10	11..13	14..15	16..17
Width	B	mm	30	40	50	56
Total height	H	mm	119	125	135	145
Rear overhang	N	mm	3	8	8	8
Distance of infeed roll	R	mm	35	35	35	40
Distance of threaded holes	T	mm	50	50	50	50
Distance of threaded holes	U	mm	20	30	30	30
Distance to limit stop	W	mm	70	75	85	95
Recommended distance between uForm and ring	K	mm	70	70	80	80



Former Fab®

uForm bag width 29-42



material options:

- * stainless steel (1.4301 / AISI 304)
- * aluminum (EN AW-6082), surface hard anodized and impregnated with PTFE

uForm			29-32	33-35	36-39	38-42
Bag width		mm	29..32	33..35	36..39	38..42
Reel film width		mm	63..81	73..88	79..94	82..100
Diameter of the filling tube	D	mm	18..20	21..22	23..24	24..26
Width	B	mm	62	72	78	78
Total height	H	mm	160	164	173	194
Rear overhang	N	mm	22	31	51	44
Distance of infeed roll	R	mm	60	70	90	100
Distance of threaded holes	T	mm	80	80	80	80
Distance of threaded holes	U	mm	30	30	30	30
Distance to limit stop	W	mm	105	105	105	130
Recommended distance between uForm and ring	K	mm	80	90	90	90